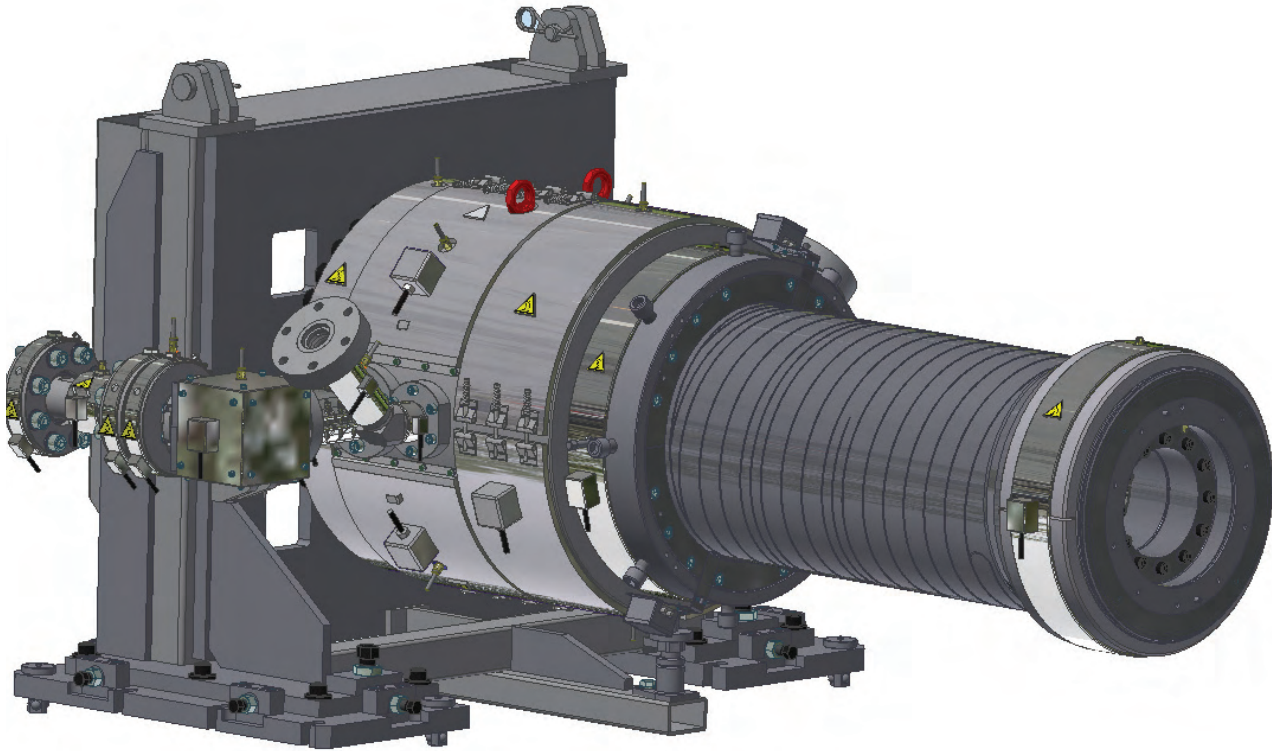


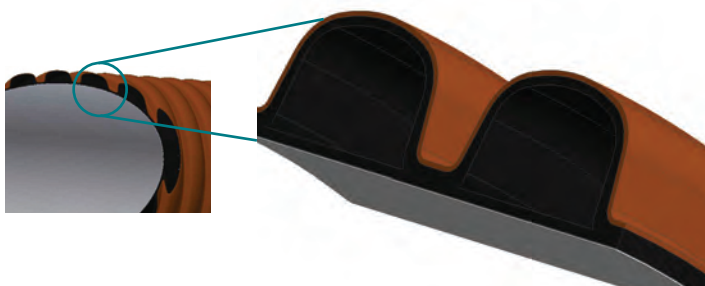
DROSSBACH 4-LAYER DIE HEAD

Main layers recyclate - surface layers colored virgin material



TECHNICAL CHARACTERISTICS 4-layer die head:

- Due to the multilayer structure of the wave an improved mechanical property of the pipe is achieved.
- Improved production process when simultaneously using recycled material in the main layers and quality virgin material in the thin surface layers
- **inside recyclate - outside new.**
- Production of corrugated pipe made of recycled material with colored surface layers in any order
Inside black - outside color.
- Save of masterbatch due to very thin and consistent surface layers.
- The surface layer of the outer wall can be made as sliding surface to facilitate the insertion of the pipe at a relining procedure.
- The nozzles and calibration parts are compatible to the standard die head.

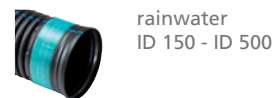
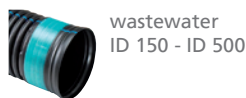


TECHNICAL DATA OF THE 4-LAYER DIE HEAD:

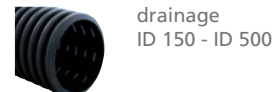
Performance data	
Max. PE/PP output (in total)	950 kg/h
Max. PE/PP output outer surface layer	120 kg/h
Max. PE/PP output inner surface layer	90 kg/h
Measurements/weight	
Max. pipe internal diameter (ID)	500 mm
Min. pipe internal diameter (ID)	150 mm
Length	3950 mm
Width	1650 mm
Weight	4395 kg

4-layer die heads for further diameters available.

Applications:



Materials:
PE, PP.



DROSSBACH MACHINERY

Experience that serves you.

Because of a wealth of experience in high-quality corrugated plastic pipe machineries and extensive pipe business services, DROSSBACH and its partners offer customer-orientated solutions. Furthermore, close contacts with long-term partners promote DROSSBACH's excellent reputation worldwide.

Since end of 2012 DROSSBACH, M.D.S. Meyer and WPS are part of one group of companies. This provides synergies that benefits our customers throughout the entire value added process. From design through installation and operations, we are your partner. Our synergies give expertise in all facets of corrugated plastic pipe business, starting with manufacturing and commissioning the corrugators including lifetime service. Development, design and the choice of the ideal sealing system and finally the production and supply of corrugated pipe and fitting systems.

DROSSBACH Maschinenbau GmbH | Max-Drossbach-Straße 7 | 86641 Rain am Lech, Germany
Tel.: +49 9090 702-0 | Fax: +49 9090 702-199 | E-Mail: info@drossbach.de | www.drossbach.de



DROSSBACH Maschinenbau GmbH:
Corrugated Pipe Machines



M.D.S. Meyer GmbH:
Sealing Systems, Fitting Systems,
Engineering



WPS - Water Pipe System GmbH:
Corrugated Pipes, Fitting Systems,
Manhole Systems